

**OBJECTIVES :**

- To observe, analyse and learn the functioning of a central locking system, with infrared remote control, timer unit and actuators.
- Display of functioning, and measurement of the input and output signals on the different modules.

PRESENTATION :

The DTP3000 training console consists of:

- 1 mimic panel with an infrared receiver, timer unit and display of the actuators by means of LEDs, and numerous measurement points enabling acquisition.
- 1 actuator panel (front left door, front right door and boot).
- 1 "fault" panel located behind the console used to set up numerous faults for practical work and exercises, for example.

CLASSES CONCERNED

BEP M.A.
BACPRO M.V.A.
BAC STI – Motor-driven systems options
BTS M.A.V.A.

**PRACTICAL WORK
AND CORRECTIONS**

PW applicable to the central locking system

USE :

Mimic panel: Display of the central locking system layout, and the states of the different elements at all times.

The actuator panel: Display of the boot, front left and right door actuators. Manual locking or with the infrared remote control.

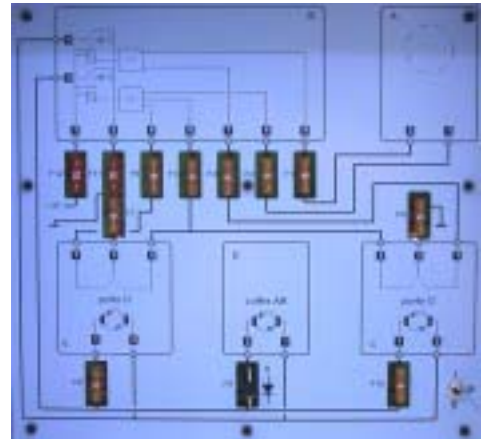
The fault panel: This is located behind the console hidden by a closing panel. Numerous open lines may be set up on the different links between the actuators, the infrared remote control and the timer unit.

It is possible to change the direction of the boot actuator diode.

Actuator panel



Fault panel



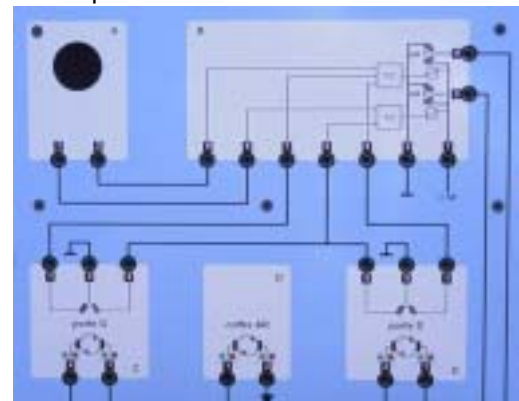
CHARACTERISTICS :

The panels have measurement terminals for multimeters, oscilloscopes, computer acquisition systems, etc ...

It is possible to connect the REFLET2000W measurement acquisition software for display of the input and output parameters and the functioning sequences.

The inputs and outputs are protected against mishandling.

Mimic panel



| References | Functions | Connections | Accessories |
|------------|--------------------------|--|---|
| DTP3000 | Study of central locking | Power supply 12 V 12A (supplied) | MX12 Resource, user and training course book |

-- www.exxotest.com -- www.exxotest.com -- www.exxotest.com --

This equipment is CE certified. It is supplied with an inspection report and a certificate of conformity.

WARRANTY: 2 years Parts and Labour

ANNECY ELECTRONIQUE
Z.A. Les Marais - BP157 - F74410 SAINT-JORIOZ
Tel: 33/0 450 68 90 65 Fax: 33/0 450 68 58 93